

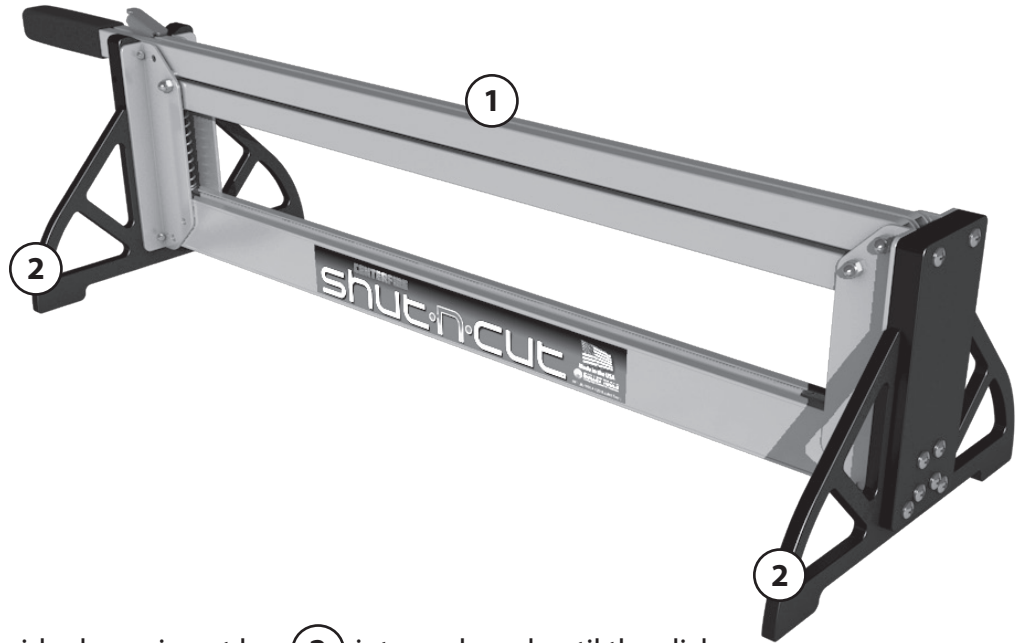
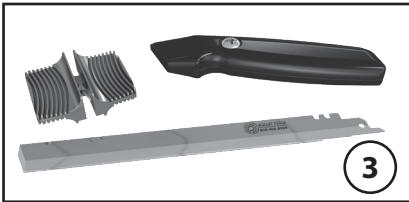
CENTERFIRE™

Quick Start Guide

for Shut-n-Cut #BT51-1927

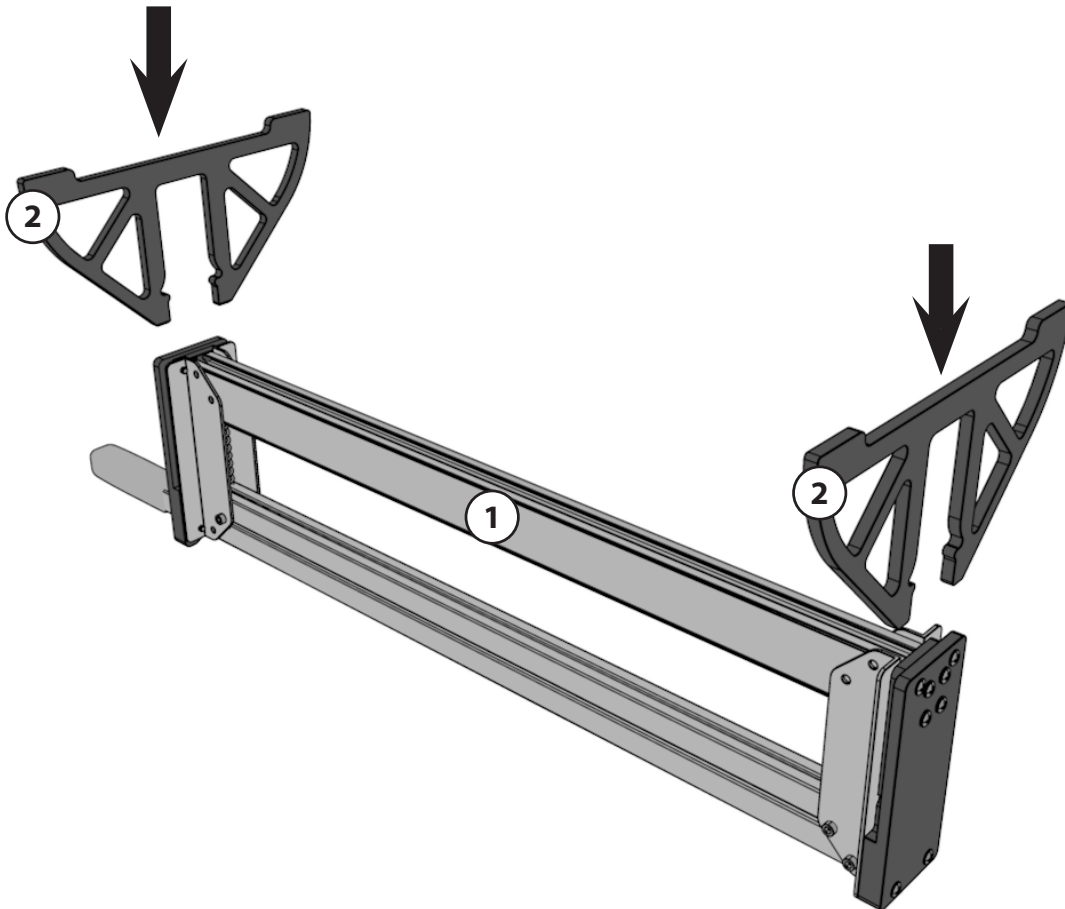
Please Review and Verify Parts Included in Box:

1. SNC Body
2. Leg x 2
3. Knife Kit



ASSEMBLY

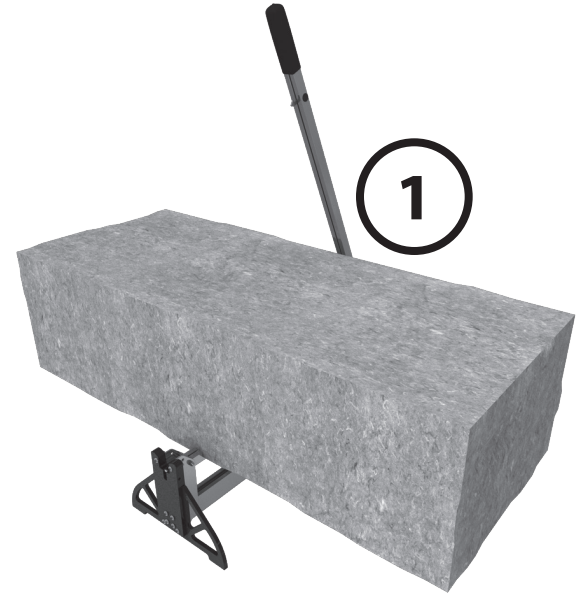
STEP 1: With your Shut-n-Cut (1) upside down, insert leg (2) into each end until the click. Turn back over and set on a level surface.



INSTRUCTIONS FOR USE OF YOUR SHUT-N-CUT

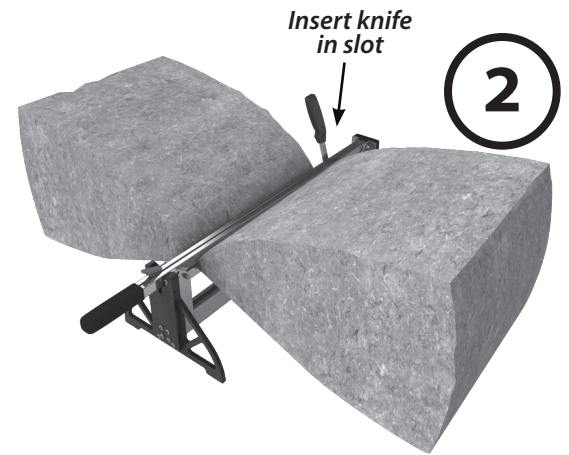
1

- Press the red trigger to unlock the clamp arm. Pivot the clamp arm to the full-open position.
- Set insulation on the lower clamp bar so that the cutting slot is in-line with the desired cut.

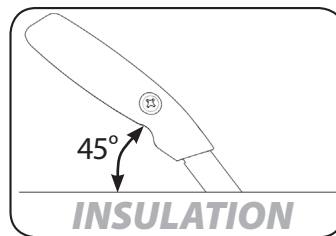


2

- Close the clamp arm to compress the product, pressing down on handle until the trigger engages.
- Insert the Centerfire Insulation Knife (included) into the cutting slot on the clamp arm.
- Cut through the insulation product with a sawing motion, drawing the blade toward you.



NOTE: The CenterFire Straight Blade works best when held at a 45° angle to the product.



SAFETY

- 1) This machine has several pinch points. Do not adjust or collapse machine when fingers are in the way.
- 2) To avoid tipping and/or rocking, only operate on a level, stable, flat surface.
- 3) Wear safety goggles and all other OSHA recommended safety gear when cutting.



For warranty info, accessories, & tips on using and maintaining your Shut-N-Cut, go to BulletTools.com



BULLET TOOLS™
Cutting-Edge Solutions for Tradesmen

Hayden, ID USA • 208-772-0175

PRT-INS-1950 RevA.1.19 ©2019 Bullet Tools