



# QUICK START GUIDE

Models #ES00-PR09 & # ES00-1113

## SharpShooter

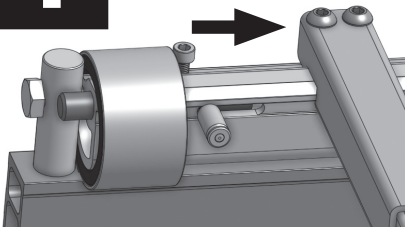
PROFESSIONAL GRADE



MARKSMAN

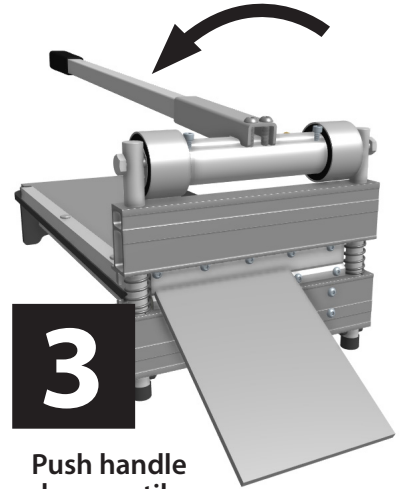
**1**

Slide Camlock lever to unlock shear.



Place product on table. Bring handle down until blade touches material.

**2**



**3**

Push handle down until material is completely cut.



**BULLET TOOLS**  
Cutting-Edge Solutions for Tradesmen

For warranty information & cut guide, visit [BulletTools.com](http://BulletTools.com)

PRT-INS-PR09 Rev.B.3.19 ©2019 Bullet Tools



# QUICK START GUIDE

Models #ES00-PR09 & # ES00-1113

## SharpShooter

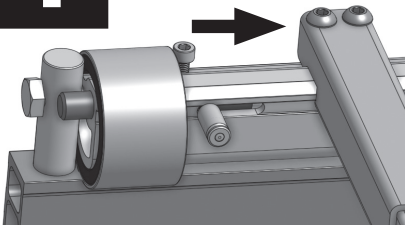
PROFESSIONAL GRADE



MARKSMAN

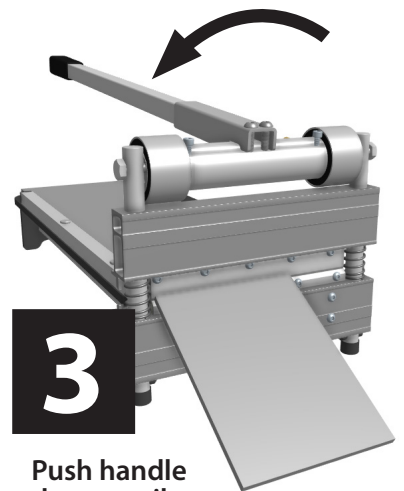
**1**

Slide Camlock lever to unlock shear.



Place product on table. Bring handle down until blade touches material.

**2**



**3**

Push handle down until material is completely cut.



**BULLET TOOLS**  
Cutting-Edge Solutions for Tradesmen

For warranty information & cut guide, visit [BulletTools.com](http://BulletTools.com)

PRT-INS-PR09 Rev.B.3.19 ©2019 Bullet Tools