



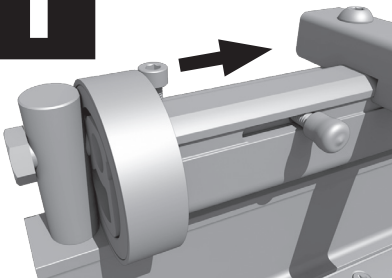
SharpShooter 2.0

Multi-Purpose Cutter



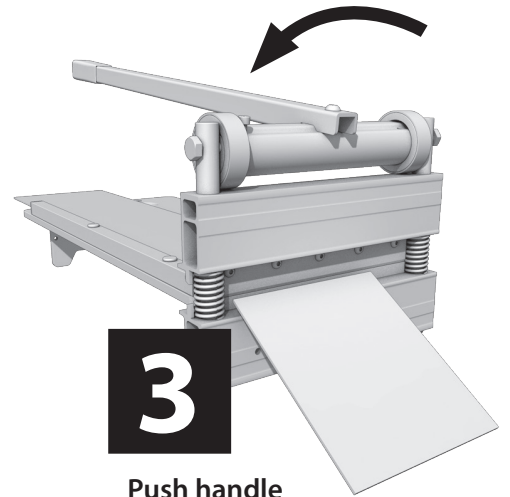
1

Slide Camlock lever to unlock shear.



Place product on table. Bring handle down until blade touches material.

2



3

Push handle down until material is completely cut.



For warranty information & cut guide, visit BulletTools.com

PRT-INS-2009 Rev.A.3.19 ©2019 Bullet Tools



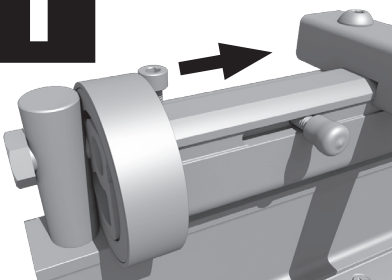
SharpShooter 2.0

Multi-Purpose Cutter



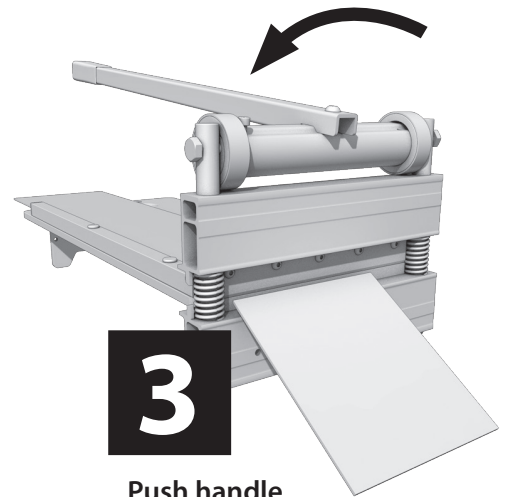
1

Slide Camlock lever to unlock shear.



Place product on table. Bring handle down until blade touches material.

2



3

Push handle down until material is completely cut.



For warranty information & cut guide, visit BulletTools.com

PRT-INS-2009 Rev.A.3.19 ©2019 Bullet Tools