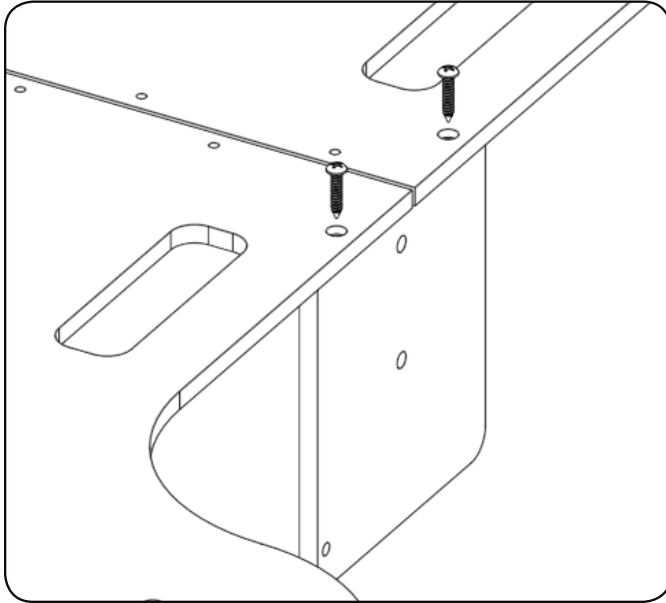


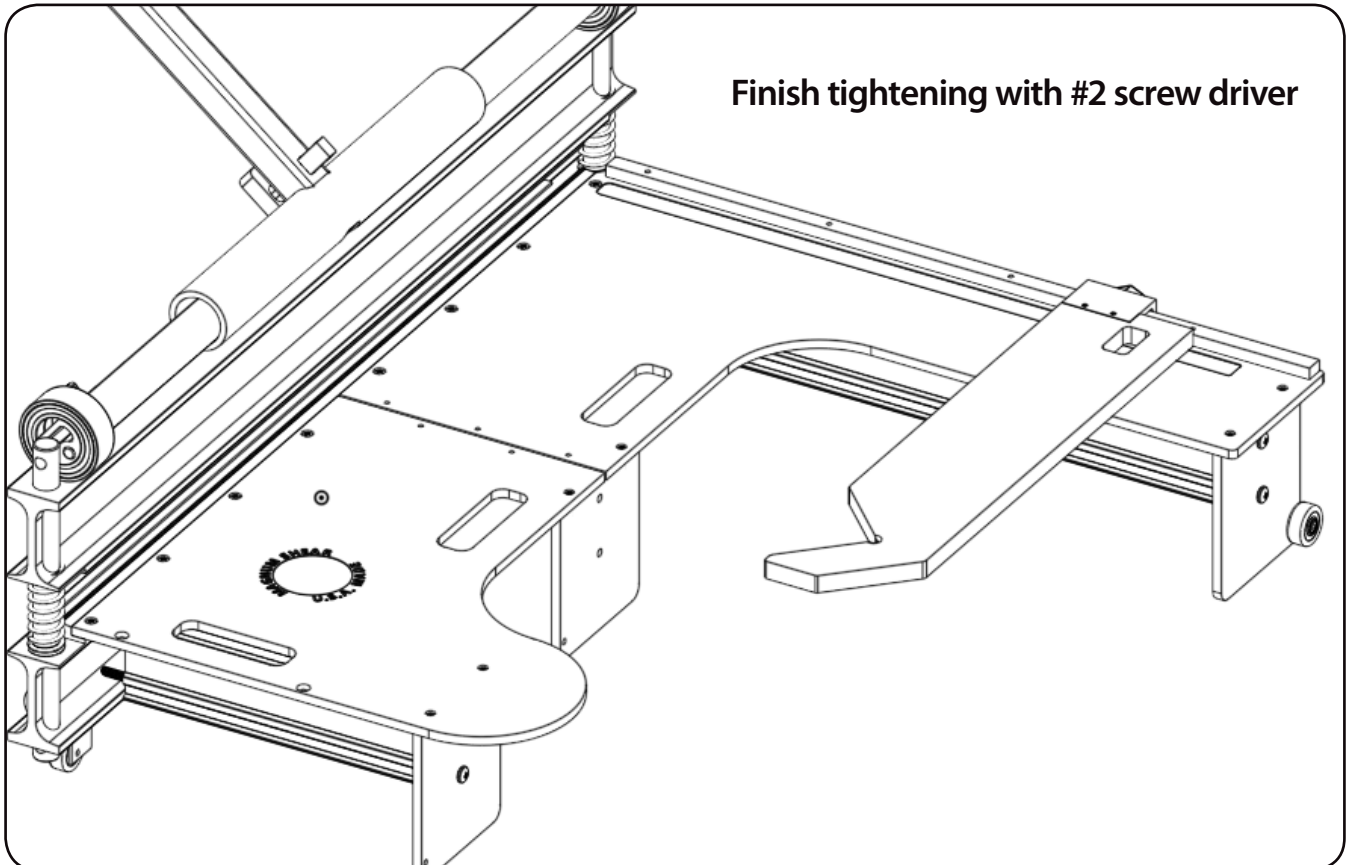
# ***You've been upgraded!***

A hinged table and 3rd tail have been added for easier handling and assembly.  
To install your hinged table, simply unfold and attach with provided fasteners according to instructions on page 3.

Once your table is installed, finish your assembly by attaching the center tail:



Line up tail with holes in the table  
Insert two #10 x 1" screws  
Hand tighten to align



Finish tightening with #2 screw driver