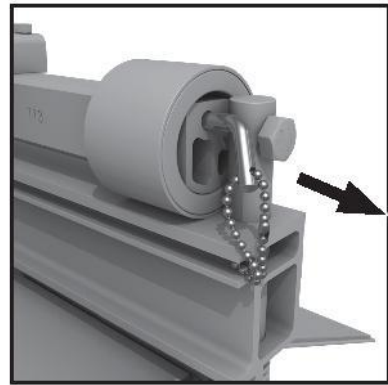


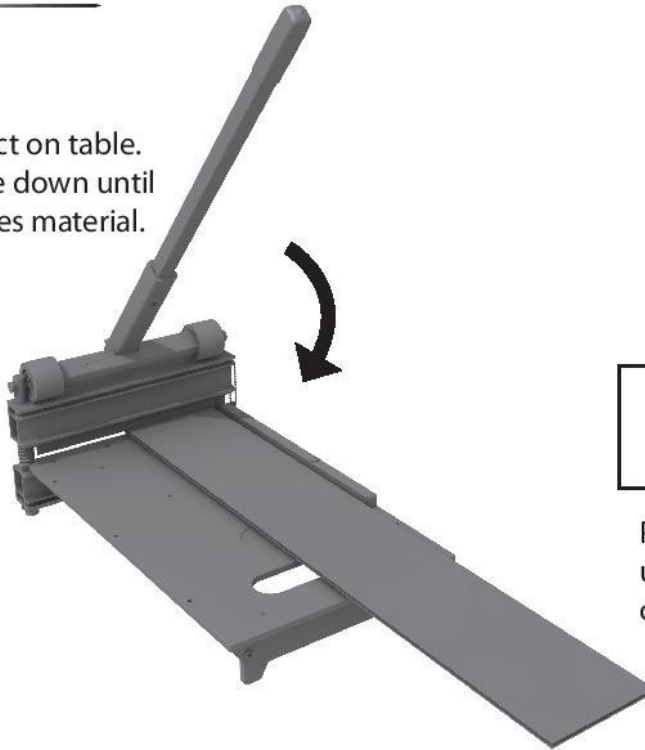


USING YOUR EZ SHEAR

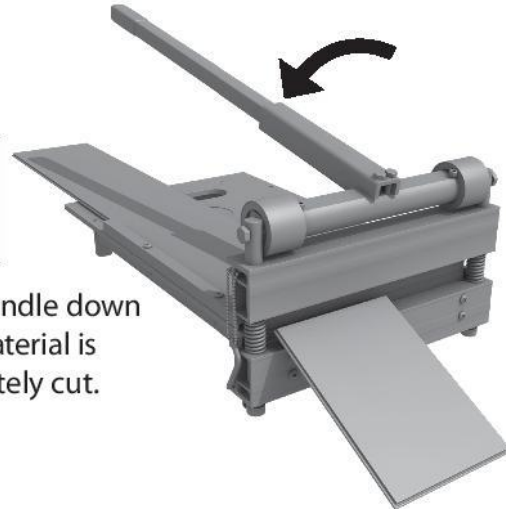
1 While gently pushing handle down, pull Safety Lock pin out, then lift handle.



2 Place product on table. Bring handle down until blade touches material.



3 Push handle down until material is completely cut.



Your EZ Shear cuts a wide variety of products. Please refer to cut guide for recommended products and thicknesses.

DO NOT USE ON BAMBOO, HIGH PRESSURE LAMINATE OR SOLID WOOD!

FLR CUT GUIDE

Max Thickness = 9/16" or 14mm

Material List

Laminate Flooring

Engineered Wood

Commercial Vinyl

Luxury Vinyl Tile

Parquet

PVC Tile

Rubber Tile

Soft Plastic

SST CUT GUIDE

Max Thickness = 1" or 25mm

Material List

Siding, Fiber Cement Board

Siding, Pressboard Lap

Siding, Vinyl

Siding, Wood

Trim, OSB

Trim, Fiber Cement

Trim, Vinyl

Shingles, Tar or Wood

For full manuals, warranty info, accessories, & tips on using and maintaining your EZ Shear, go to BulletTools.com or scan the QR code below.



**FOR BEST RESULTS,
HONE YOUR SHEAR
REGULARLY!**

Please note: Approved materials may vary in density and hardness. If extreme pressure is required to cut a product, it may result in damage to your machine. Please contact Bullet Tools before proceeding. Warranty is void if an unapproved product damages the machine.

PRT-INS-QEZC REV.E.4.18 ©2018 Bullet Tools



Hayden, ID USA • 208-772-0175