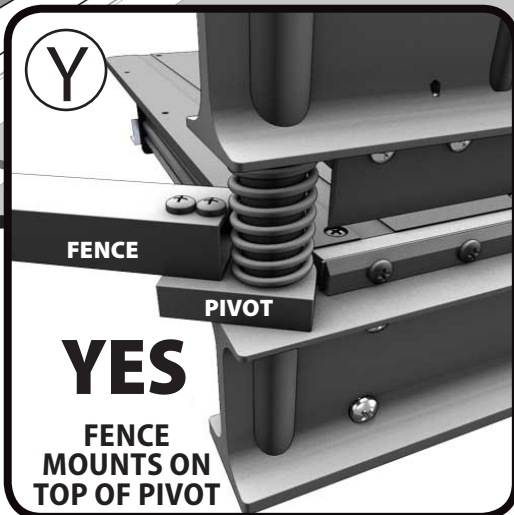
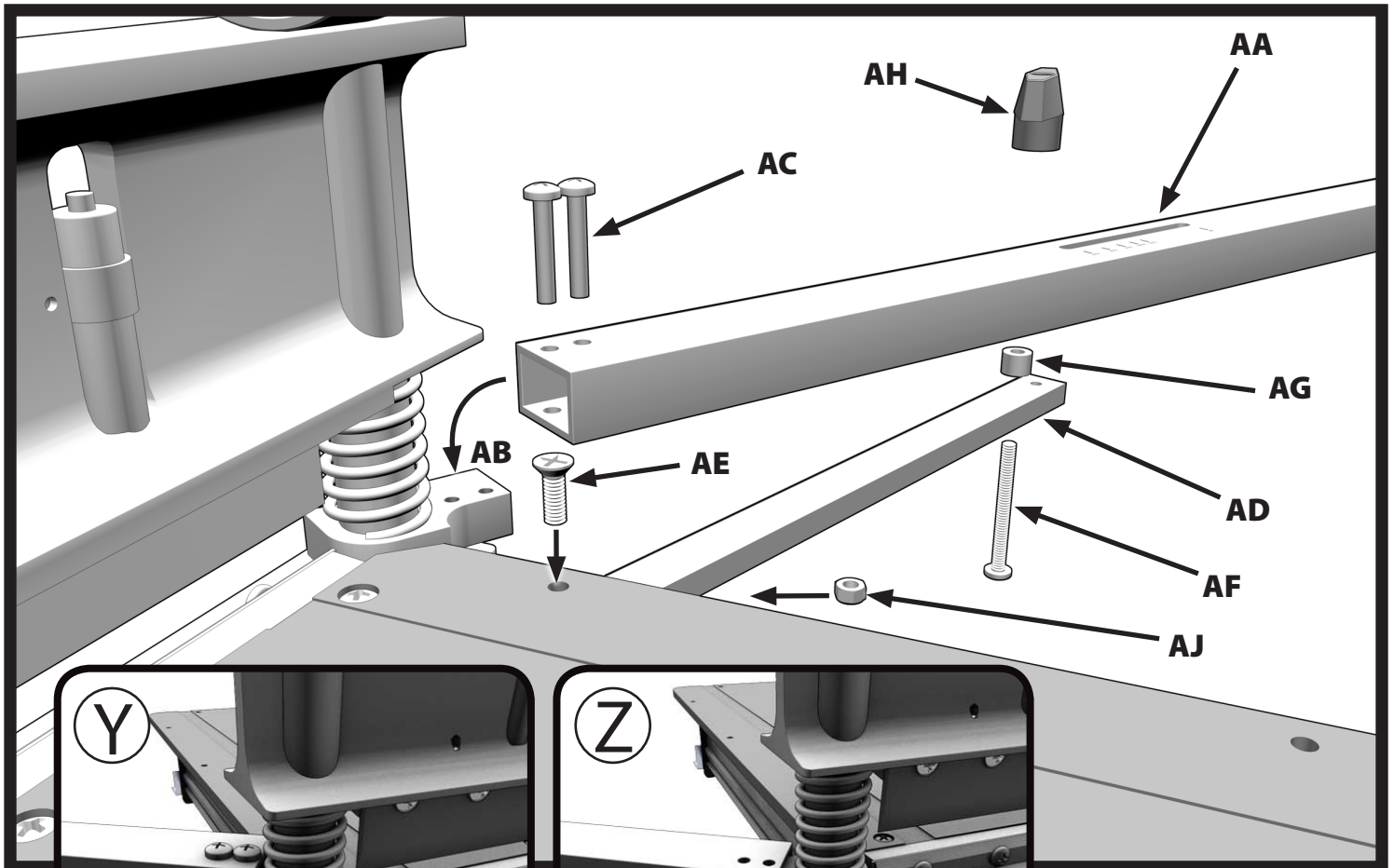


MAGNUM Shear 620

Factory Upgrade Notice

Your 620 shear has been upgraded with an AngleMaster™ Fence System.
To install the AngleMaster™, follow the steps below:

1. Fasten both fences **AA ON TOP OF** corresponding corner pivots **AB** (See picture **Y** below) using screws M6 x 35 PHP screws **AC**. Orient fence **AA** so that the slot is away from the table.
2. Attach struts **AD** to table using ¼-20 x 1¼ FHP screws **AE** and locknuts **AJ**. Thread ¼-20 x 2¾ PHP screws **AF** into struts **AD** and up through spacer **AG** and slots in fences **AA**.
3. Thread knobs **AH** onto screws **AF** and tighten at desired angle.



 **BULLET TOOLS™**
Cutting-Edge Solutions for Tradesmen