

USER GUIDE

Read Before Use!

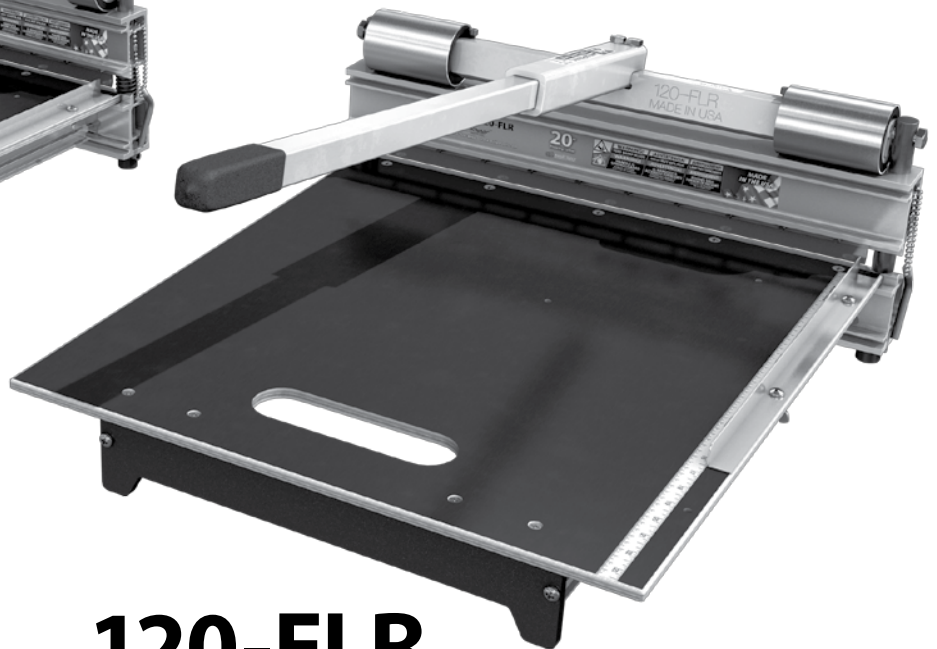


Shear FLR

"Make the Cut!"



113-FLR



120-FLR

Do not use on High Pressure Laminate or Solid Wood



BULLET TOOLS™
Cutting-Edge Solutions for Tradesmen



WARNING: FAILURE TO FOLLOW THIS GUIDE MAY RESULT IN SERIOUS INJURY! USING THIS MACHINE WITH RESPECT AND CAUTION WILL CONSIDERABLY REDUCE THE RISK OF PERSONAL INJURY.

SAFETY GUIDE FOR THE EZ SHEAR™ FLR SERIES

- 1**READ AND UNDERSTAND THIS INSTRUCTION MANUAL BEFORE OPERATING THE EZ SHEAR™.**
- 2If you are not thoroughly familiar with the operation of the EZ Shear™, obtain advice from a qualified instructor or call 800-406-8998 (Intl.: 208-772-0175).
- 3Stay alert. Do not operate while under the influence of drugs, alcohol, or medication.
- 4Always wear safety approved eye protection with side shields (ANSI Z87.1).
- 5Keep work area clean and free of debris.
- 6Recommended operating temperature range: 20° F (-6° C) to 115° F (46° C)
- 7Keep children and unauthorized persons away from the EZ Shear™ and work area.
- 8Make sure tool is secure. Operate only on a firm substrate or solid stand.
- 9Use the right tool. Do not force the EZ Shear™ or use it for a job for which it was not intended; the EZ Shear™ is designed to cut residential grade/ low-pressure laminate flooring, engineered wood flooring, VCT, PVC tile, vinyl tile, fiber cement board siding, vinyl siding, & pressboard lap siding. See Cut Guide page 6.
- 10...Keep Blade sharp. A dull Blade will not perform properly.
- 11 ...Always keep hands away from Blade while operating or carrying.
- 12...Do not alter or misuse this tool. The EZ Shear™ is precision built; modifications not specified in this manual may result in a dangerous condition.
- 13...Maintain EZ Shear™ with care. Keep Blade sharp and clean. Follow instructions for lubricating and changing accessories. See page 6.
- 14...Use only recommended accessories. The use of improper accessories may cause hazards or injury.
- 15...Never leave the EZ Shear™ unattended. Secure the Handle with the Safety Lock when not in use. See page 5.
- 16...Warning: The dust generated by cutting certain wood, wood fiber and/or PVC products can be hazardous to your health. The EZ Shear™ generally does not produce any dust; however, minimal creation of dust may be possible. Avoid ingesting any dust created through cutting.

SET UP

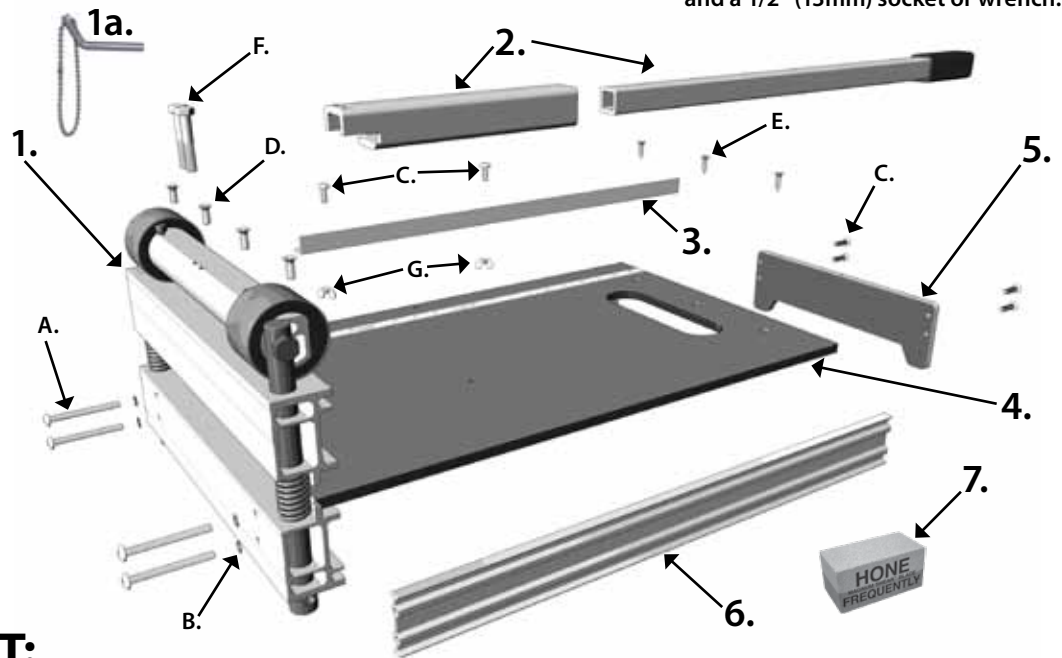


WELCOME! YOUR EZ SHEAR FLR COMES READY TO ASSEMBLE.*

Please Review and Verify Parts Included in Box:

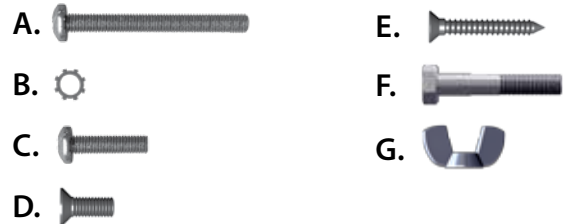
*You will need #2 & #3 Phillips head screwdrivers and a 1/2" (13mm) socket or wrench.

- 1. Power Assembly
 - 1a. Safety Lock pin
- 2. Handle Assembly
- 3. Fence
- 4. Table
- 5. Tail
- 6. Rails (2)
- 7. Hone Stone
- 8. Hardware Kit



HARDWARE KIT:

- Item A. (4) 6mm x 65mm PH Phillips Machine Screws
- Item B. (4) M6 Star Washers
- Item C. (6) 6mm x 25mm PH Phillips Machine Screws
- Item D. (5) M6 x 16mm FH Phillips Machine Screws
- Item E. (4) #10 x 1 FH Phillips Self Tapping Screws
- Item F. (2) M8 x 50mm Hex Bolts
- Item G. (2) M6 Wing Nuts



*The Hardware Kit is used in multiple models. Your Shear may not use all of the items listed.

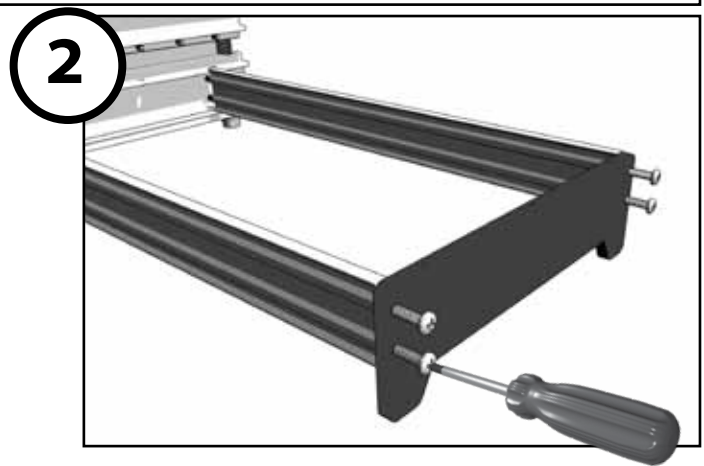
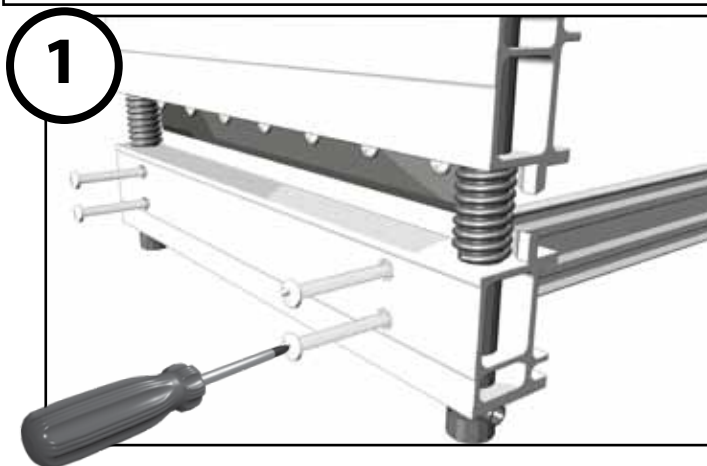
ASSEMBLY

1. ATTACH RAILS

Attach rails and mounting bracket to Power Assembly base using *Item A* machine screws, fitted with *Item B* star washers.

2. ATTACH TAIL

Attach tail and mounting bracket to rails using *Item C* machine screws. Make sure holes in tail are facing up.



• **IMPORTANT** •

Start all screws ***BY HAND*** when assembling your shear. This will help avoid cross-threading.

Avoid cross-threading by using your fingers to start all screws



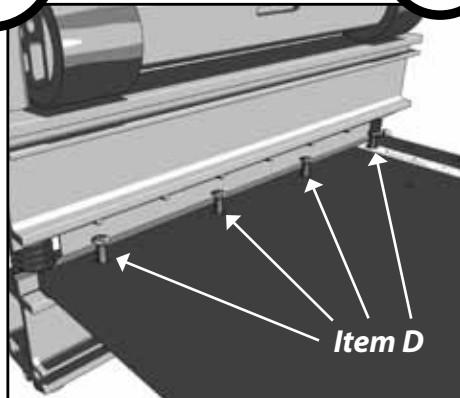
SET UP

3

3. ATTACH TABLE

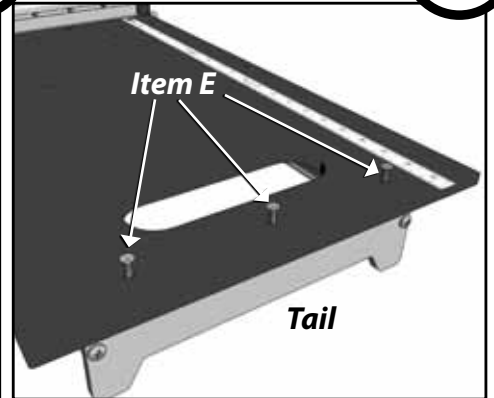
A. Attach front of table to base, using *Item D* screws. Tighten with #3 Phillips.

B. Attach back of table to tail using *Item E* self tapping screws. Tighten with #2 Phillips.



3A

3B

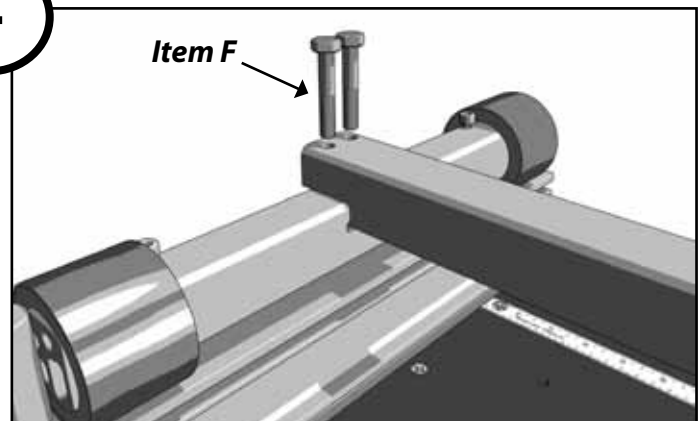


4

4. TO ATTACH HANDLE:

Insert *Item F* screws and tighten with 1/2" (13mm) wrench.

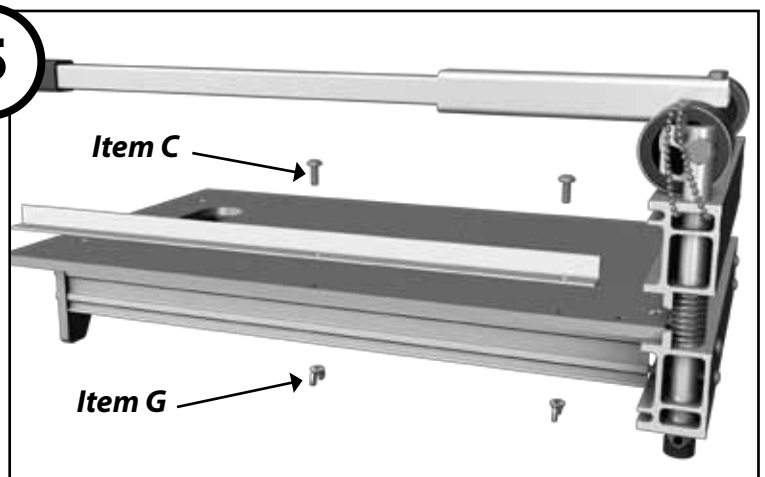
Note: To ensure correct alignment, start each of the bolts by hand before using wrench.



5

5. ATTACH FENCE

Attach fence in one of the two hole sets on the table: one at 90° and one at 45°. Use *Item C* screws with *Item G* wingnuts to fasten securely.



MAKING CUTS



Caution! Wear hand and eye protection while operating the EZ Shear™

1

While gently pushing handle down, pull Safety Lock pin out, then lift handle.



Pull Safety Lock pin



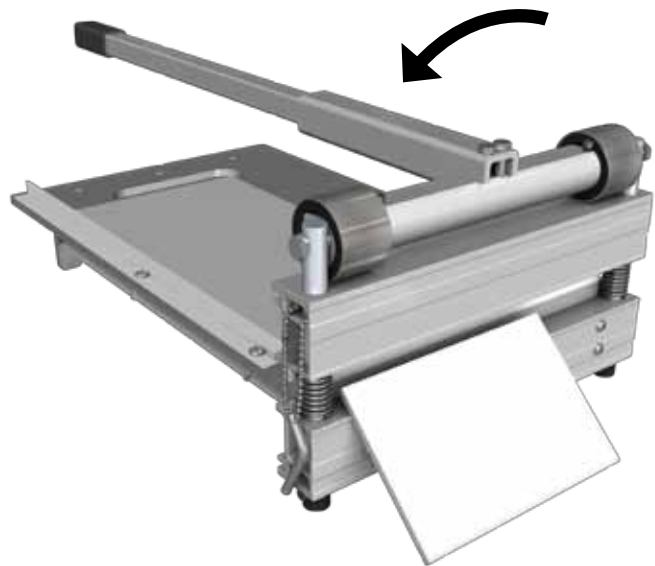
2

Place product on table. Bring handle down until blade touches material.



3

Push the handle down until the material is completely cut.



DO NOT USE ON HIGH PRESSURE LAMINATE OR SOLID WOOD!

WARNING! Blade is very sharp. Keep fingers away from blade.

Most materials listed on page (6) shear cleanly with just one cut. However, some types of laminate flooring and fiber cement siding may require cutting twice to produce a better cut.

DOUBLE CUTTING: Simply make your first cut 1/8" to 1/4" (3mm to 6mm) longer than your mark and then make a second cut on your mark. This is very useful to create a cleaner cut on exposed ends or when you cannot cover the cut edge with molding or trim.

Your EZ Shear cuts a wide variety of products.
Please refer to this cut guide for
recommended products and thicknesses.

FLR CUT GUIDE

Maximum Thickness = 15mm or 5/8"

Material

| |
|----------------------------|
| Laminate Flooring |
| Engineered Wood |
| Commercial Vinyl |
| Luxury Vinyl Tile |
| Parquet |
| Permastone™ |
| PVC Tile |
| Rubber Cove Base |
| Rubber Tile |
| Soft Plastic |
| Siding, Fiber Cement Board |
| Siding, Pressboard Lap |
| Siding, Vinyl |
| Siding, Wood |
| Trim, OSB |
| Trim, Fiber Cement |
| Trim, Vinyl |
| Shingles, Tar or Wood |

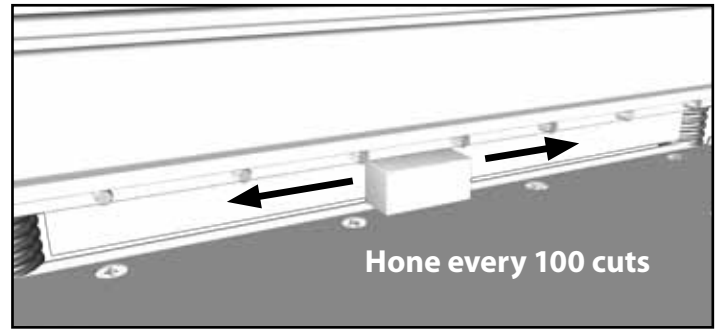
Please note: Approved materials may vary in density and hardness. If extreme pressure is required to cut a product, it may result in damage to your machine. Please contact Bullet Tools before proceeding. Warranty is void if an unapproved product damages the machine.

**Do NOT Use on
High Pressure Laminate
or Solid Wood!**

Replacement Blade for 113FLR is part #113B
Replacement Blade for 120FLR is part #120B

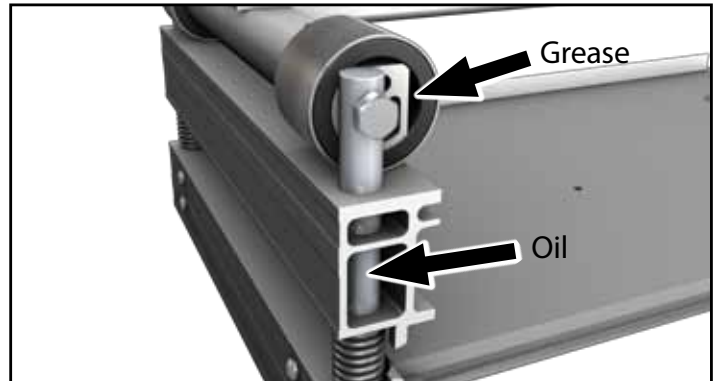
MAINTENANCE

Honing the Blade



Push the handle down until blade is 1/4" (6mm) open. Lay the hone stone against the flat face of the blade (side toward the table). Slide from end to end 2 or 3 times. This removes the small burr formed when cutting hard products.

Greasing / Lubricating



After every 100 cuts, it is recommended that you lubricate the wear points of the pins and the bearings as shown. Use a light oil (i.e. 10W motor oil). This will prevent the machine from wearing out prematurely. Apply grease (wheel bearing grease) frequently to the bearings where indicated.

ACCESSORIES

All Angle Fence

Item #701AF

Set any angle from 0° to 90°



Mounting Bracket

Item #200MB

Brackets for mounting your shear to a stand



Shear Stand

Item #709

Allows you to cut with the shear
off the ground.



WARRANTY

30 Day Satisfaction Guarantee

Bullet Tools™ is confident that you will be absolutely pleased with the purchase of our product. If, for any reason, you are not completely satisfied with your tool, we will refund your purchase price at any time within 30 days of your original purchase (receipt required). If you want to return your product under our 30-day no risk trial offer (valid only for purchases made in the US), please contact us at 1-800-406-8998 or 208-772-0175 for return instructions.

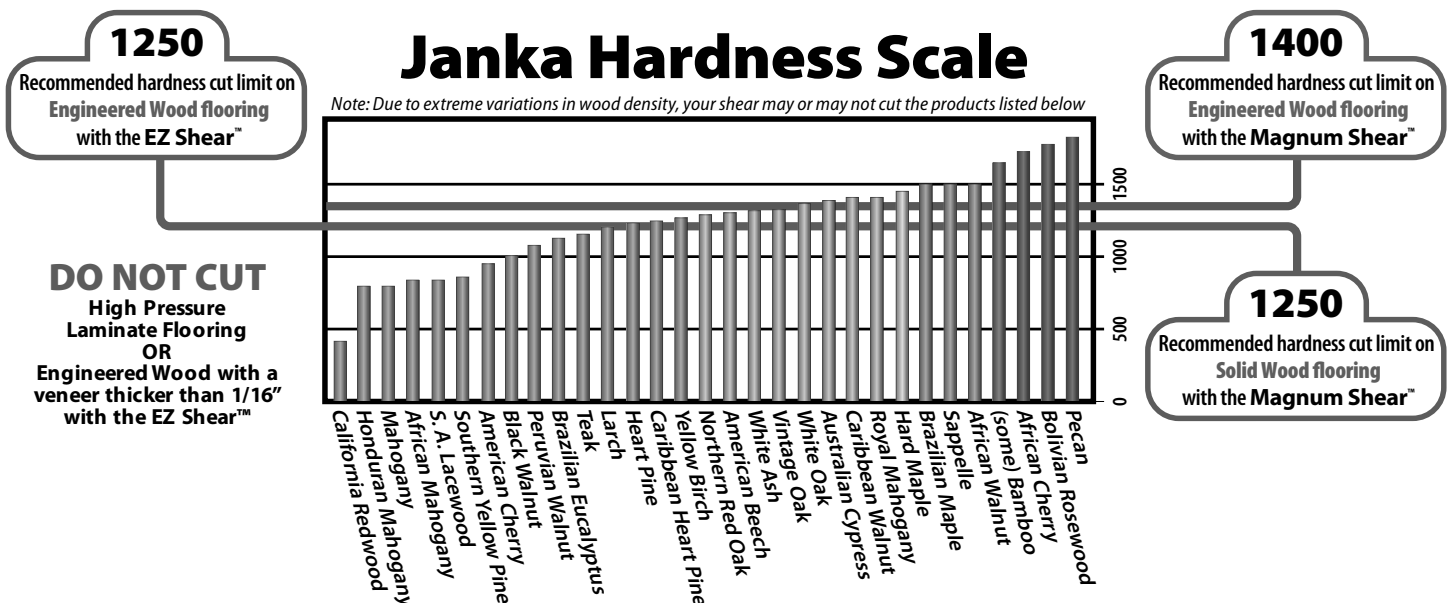
BULLETPROOF WARRANTY SILVER (1 Year)

Bullet Tools™ warrants only to the original purchaser of this product, when purchased from an authorized reseller or distributor, that this product will be free from defects in material and workmanship under normal use and service for one (1) year from initial purchase. This warranty includes all parts except the blade and cosmetic appearance (chips, dings, scratches) caused by normal use and wear. This warranty does not cover any damage due to accident, misuse, abuse or negligence. Further, it is valid only if the product is used with the cut products specified in the cut guide. Please refer to the User Guide for details or call Bullet Tools™ technical support. In order to recover under this limited warranty, the purchaser must make claim to Bullet Tools™ within 60 days of occurrence and must present acceptable proof of original ownership (such as original receipt, warranty card registration, on-line registration, or other documentation Bullet Tools™ deems acceptable) for the product. Bullet Tools™, at its option, shall repair or replace the defective unit covered by this warranty.

Bullet Tools™ disclaims all warranties, express or implied, including all warranties of merchantability and/or fitness for a particular purpose. Additional rights may be available under the laws of your state or province. Any and all warranties, written or implied, are void with any alterations to the product. Note: Bullet Tools™ shall not be liable for any special, incidental or consequential damages, including but not limited to lost revenue, lost profits, rental or replacement equipment, downtime, damage to property and third-party claims, arising out of any theory of recovery, including warranty, contract, statutory or tort.

To obtain warranty service, please visit www.BulletTools.com/warranty-claim, or contact Bullet Tools™ at 1-800-406-8998 or 1-208-772-0175, for pre-authorization and further instructions.

Machine Serial Number: _____





BULLET TOOLS™
Cutting-Edge Solutions for Tradesmen