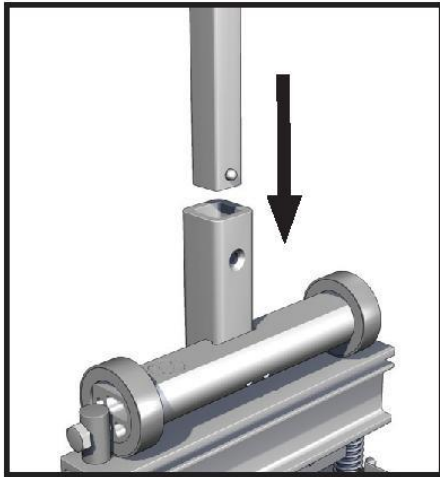


EZ
Shear
SharpShooter
MULTI-PURPOSE CUTTER

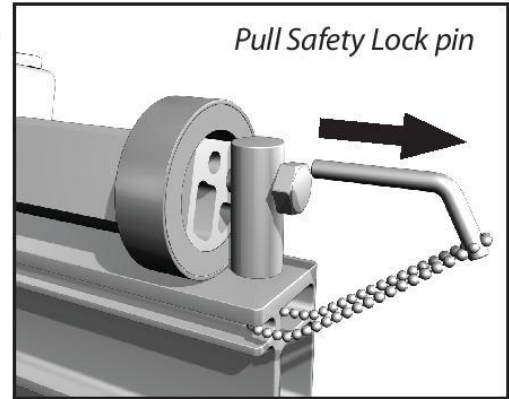
QUICK START GUIDE

Model #009

1 Insert handle into handle base until lock button clicks.

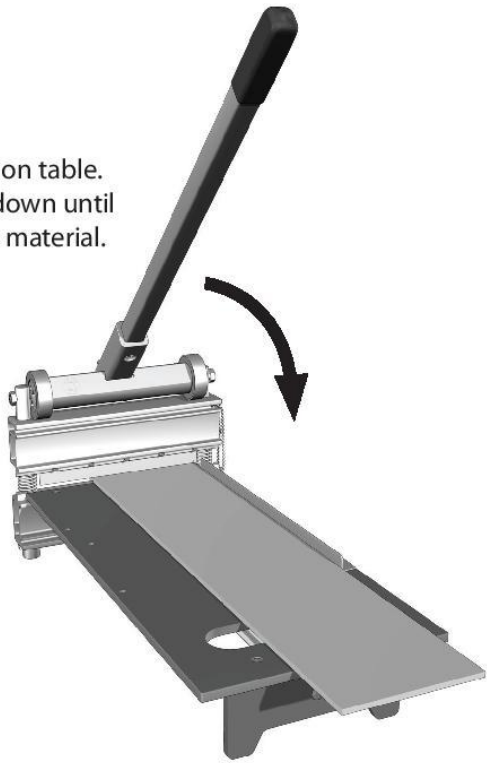


2 Gently push handle down, pull Safety Lock pin out, lift handle.

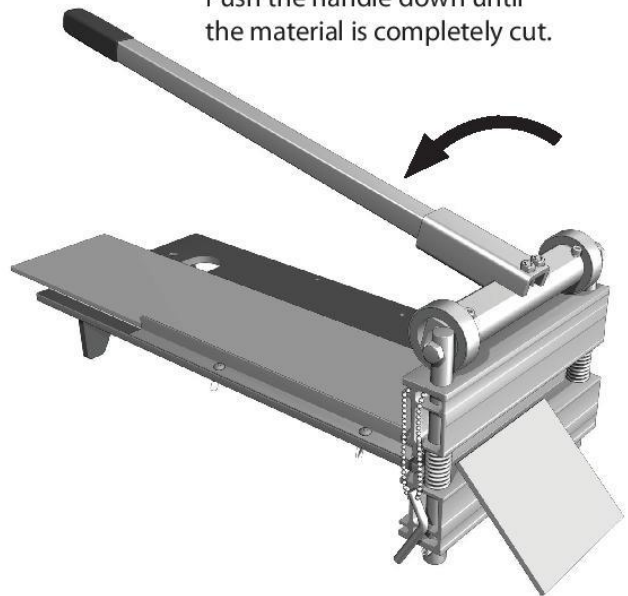


PROUDLY MADE IN THE USA

3 Place product on table. Bring handle down until blade touches material.



4 Push the handle down until the material is completely cut.



For warranty information
& cut guide, visit BulletTools.com

BULLET TOOLS™
Cutting-Edge Solutions for Tradesmen

PRT-INS-Q009 Rev.A.8.17 ©2016 Bullet Tools