

Quick Start Guide

for EZ Shear Model #220



In the Box:

- | | |
|---------------------|--------------------------|
| 1. Power Assembly | 5. Tail |
| 1a. Safety Lock pin | 6. Rails x 2 |
| 2. Handle Assembly | 7. Hone Stone |
| 3. Fence | 8. Mounting Brackets x 4 |
| 4. Table | 9. Hardware Kit |

In the Hardware Kit:

- | | |
|---|--|
| A. (4) #14 x 3" PH Phillips Self-Tapping Screws | D. (4) #10 x 1 FH Phillips Self Tapping Screws |
| B. (6) M6 x 25mm PH Phillips Machine Screws | E. (2) M8 x 50mm Hex Bolts |
| C. (5) M6 x 16mm FH Phillips Machine Screws | F. (2) M6 Wing Nuts |

The Hardware Kit is used in multiple models. Your Shear may not use all of the items listed.

for EZ Shear Model #226

In the Box:

- | | |
|---------------------|--------------------------|
| 1. Power Assembly | 5. Tail |
| 1a. Safety Lock pin | 6. Rails x 4 |
| 2. Handle Assembly | 7. Hone Stone |
| 3. Fence | 8. Mounting Brackets x 4 |
| 4. Table | 9. Hardware Kit |

In the Hardware Kit:

- | | |
|---|--|
| A. (8) #14 x 3" PH Phillips Self-Tapping Screws | D. (4) #10 x 1 FH Phillips Self Tapping Screws |
| B. (8) M6 x 25mm PH Phillips Machine Screws | E. (2) M8 x 50mm Hex Bolts |
| C. (6) M6 x 16mm FH Phillips Machine Screws | |

The Hardware Kit is used in multiple models. Your Shear may not use all of the items listed.

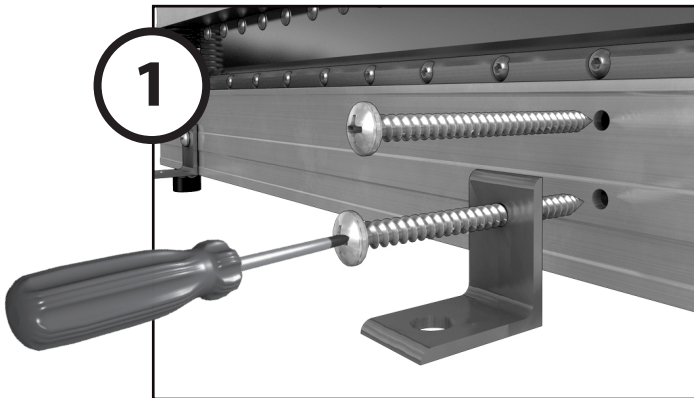
ASSEMBLING YOUR SHEAR

Tools needed: #2 & #3 Phillips head screwdrivers and a 1/2" (13mm) socket or wrench.

IMPORTANT! Start all screws BY HAND when assembling your shear. This will help avoid cross-threading.

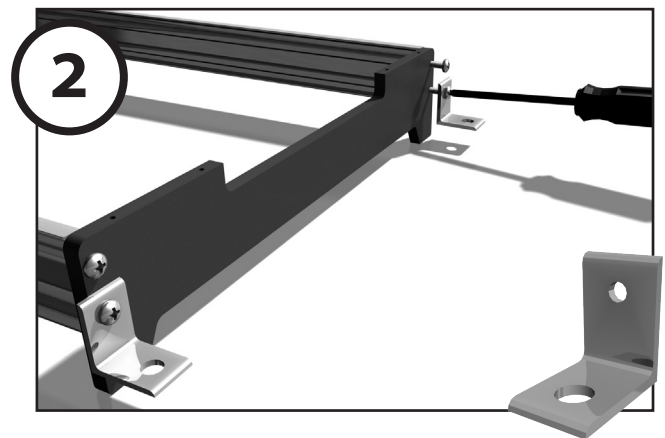
1. ATTACH RAILS

Attach rails and mounting brackets to Power Assembly base using *Item A* screws.



2. ATTACH TAIL

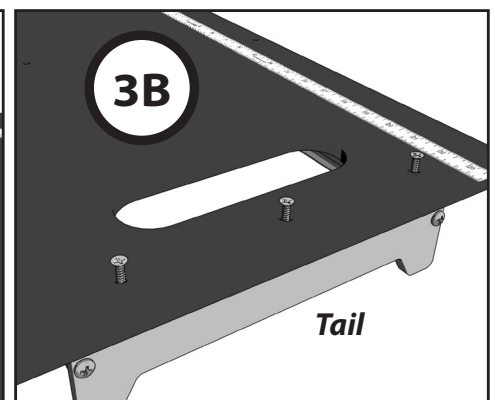
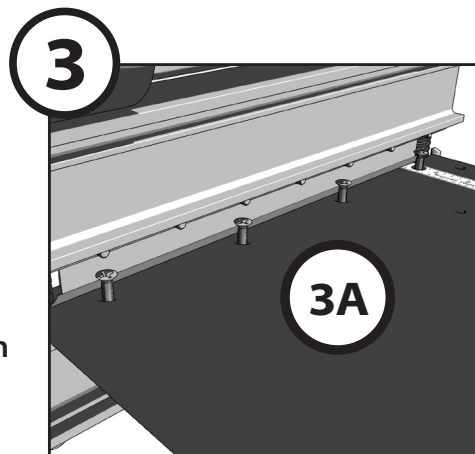
Attach tail and mounting brackets to rails using *Item B* screws. Make sure holes in tail are facing up.



3. ATTACH TABLE

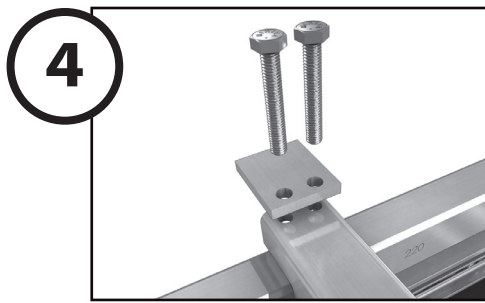
A. Attach table to base starting with front, start screws by hand, use *Item C* screws.

B. Attach back of table to tail using *Item D* screws. Tighten with #2 Phillips.



4. ATTACH HANDLE:

Insert handle base into slot in camshaft, insert *Item E* bolts through backstroke stop and handle, and tighten.



5. PLACE THE FENCE

For 220:

Your EZ Shear is equipped with an aluminum fence which may be set to common roof pitches. (4/12, 6/12, 8/12, and 12/12) Simply align with desired position and press pins into place.

Note: The fence is friction fit (requires effort to insert or remove).

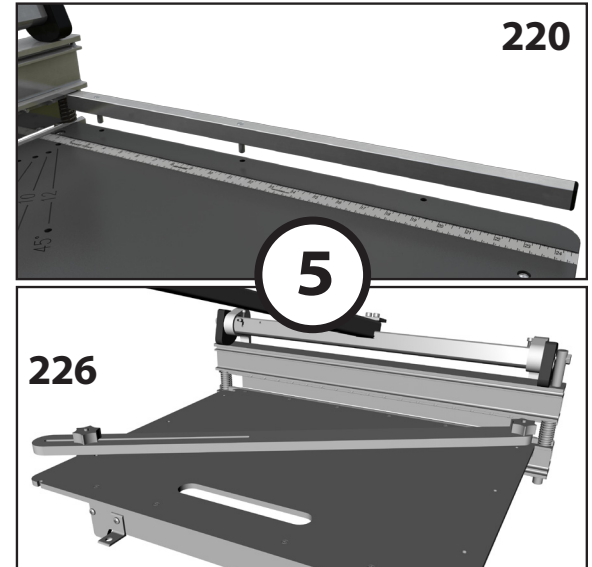
For 226:

Slide fixed clamp into the front quick alignment notch.

For 90° cuts, slide loose clamp into rear alignment notch and tighten star knob.

For angle cuts:

- 1) Align edge of fence with the desired angle guide mark in center of table.
- 2) Slide loose clamp to edge of table and tighten knob.



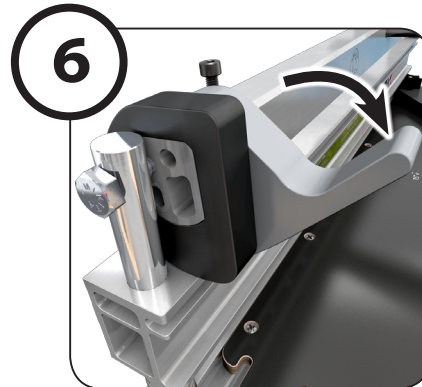
6. POWER LOBE OPERATION

To Engage Power Lobes:

- 1) Clear everything from under the blade.
- 2) Rotate Power Lobes so that the arms face toward the table.
- 3) Pull shear handle down firmly (as if cutting).
- 4) Pull down on one of the Power Lobe arms firmly.
- 5) Lift the shear handle while continuing to press firmly on the Power Lobe arm. The Power Lobe will snap into place.
- 6) Repeat for other Power Lobe.

To Disengage Power Lobes:

- 1) Clear everything from under the blade.
- 2) Pull up on one of the Power Lobe arms firmly.
- 3) Pull shear handle down firmly (as if cutting).
The Power Lobe should pop loose.
- 4) Repeat for other Power Lobe.



PRT-INS-QEZB REV.F.4.17 ©2017 Bullet Tools

*For warranty info, accessories,
& tips on using and
maintaining your EZ Shear, go
to BulletTools.com or scan
the QR code below.*



SST CUT GUIDE

Max Thickness = 1" or 25mm

Material List

Siding, Fiber Cement Board

Siding, Pressboard Lap

Siding, Vinyl

Siding, Wood

Trim, OSB

Trim, Fiber Cement

Trim, Vinyl

Shingles, Tar or Wood