



**BULLET TOOLS™**  
Cutting-Edge Solutions for Tradesmen



**PLEASE REGISTER YOUR TOOL TO ACTIVATE YOUR WARRANTY**

Warranty is null and void unless your Super Shear™ is registered within 60 days of purchase.

Registration is simple, just fill out the form at:  
[www.bullettools.com/support/product-registration](http://www.bullettools.com/support/product-registration)

**1 Year Warranty**

Bullet Tools™ on behalf of Sharemy Sales™ warrants only to the original purchaser of this product, when purchased from an authorized reseller or distributor, that this product will be free from defects in material and workmanship under normal use and service for one (1) year from initial purchase. This warranty includes all parts except the blade and other wear parts as indicated on this card, and cosmetic appearance (chips, dings, scratches) caused by normal use and wear. This warranty does not cover any damage due to accident, misuse, abuse or negligence. In order to recover under this limited warranty, the purchaser must register their shear with Bullet Tools™ (on behalf of Sharemy Sales™) within 60 days of purchase of the product. Bullet Tools™, at its option, shall repair or replace the defective unit covered by this warranty. To obtain warranty service, please contact Bullet Tools™ at 208-772-0175, or visit [www.bullettools.com/warranty-claim](http://www.bullettools.com/warranty-claim) for pre-authorization and further instructions. Sharemy Sales™ and Bullet Tools™ disclaim all warranties, express or implied, including all warranties of merchantability and/or fitness for a particular purpose. Additional rights may be available under the laws of your state or province. Any and all warranties, written or implied, are void with any alterations to the product. Note: Sharemy Sales™ and Bullet Tools™ shall not be liable for any special, incidental or consequential damages, including but not limited to lost revenue, lost profits, rental or replacement equipment, downtime, damage to property and third-party claims, arising out of any theory of recovery, including warranty, contract, statutory or tort.

*Certain parts on your Super Shear™ wear out during normal use. These parts are not covered under warranty but are available to purchase through Bullet Tools or your nearest Makita™ authorized tool repair center.*

**Common Wear Parts**

Part No	Description
664891-9 .....	Cord
682572-3.....	Cord Guard
191963-2 .....	Carbon Brush CB-303 Set, 9227C
214169-6 .....	Plane Bearing 14, JR3030

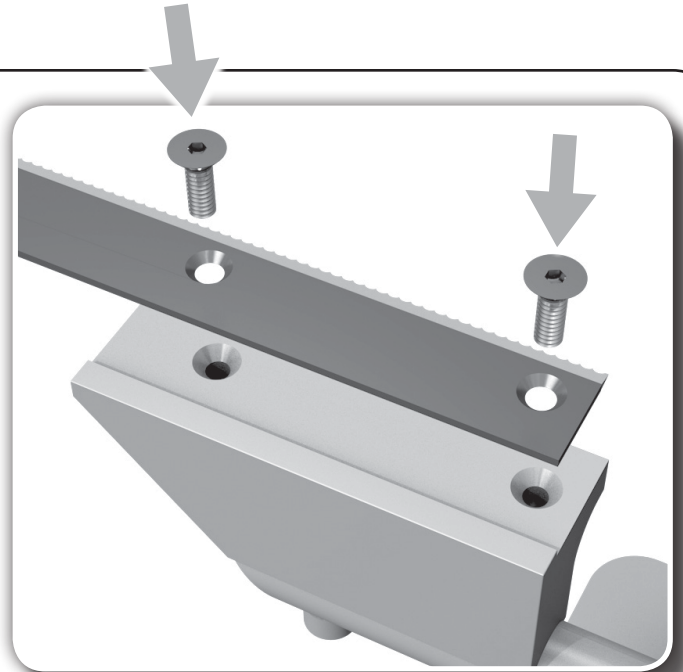


**BULLET TOOLS™**  
Cutting-Edge Solutions for Tradesmen



## **Super Shear™ Blade Installation**

- Remove the blade attachment screws with a 3/16" allen wrench
- Align the blade (**as shown**) and fasten with blade attachment screws
- Tighten securely for proper operation



## **Controller Setup**

- Plug your Super Shear™ into the included variable speed control
- Clip variable speed control onto your belt and push the rocker switch to the **VAR** position
- Turn the knob to adjust the speed of your saw

