

BULLET-IN

Volume 1, Issue 1 • January/February 2011



In This Issue:

New & Upcoming p.1
Flooring Tips p.2
Product Highlight p.2
Online Contest p.2
Where We'll Be p.2



New & Upcoming



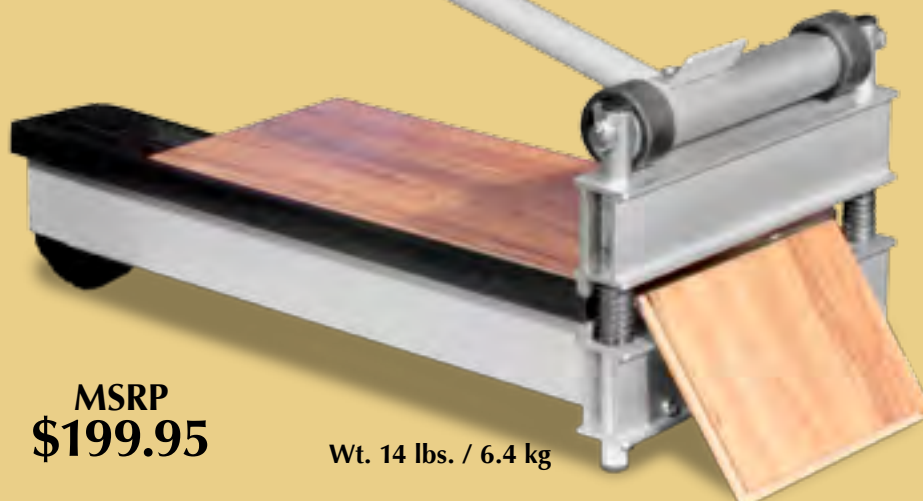
9"

Bullet Tools is proud to present the newest addition to our lineup, the EZ 9! This tool brings you unmatched quality and the versatility of Bullet Tools shears at an affordable price.

The EZ 9 cuts up to 9" wide and 5/8" thick on a wide range of products, including:

- Laminate flooring
- Engineered hardwood flooring
- Fiber-cement and vinyl siding
- Luxury vinyl tile

...and much more!



MSRP
\$199.95

Wt. 14 lbs. / 6.4 kg

Go to www.BulletTools.com for more on the EZ 9!

Flooring & Siding Tips

Double Cutting:

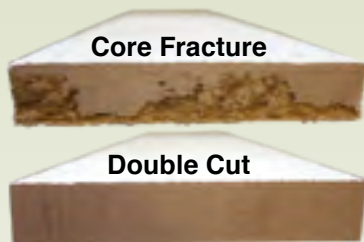
Although Bullet Tools shears create a superior quality cut, a potential concern when shearing thicker materials is core fracture. Core fracture is when the cut is mostly clean, but the middle of the material is of a lesser cut quality than the beginning.

Some thicker materials, such as fiber-cement siding trim, or 12mm laminate flooring, tend to have more susceptibility to core fracture, leaving you with a rough edge. When a clean edge is required on these products, you can use the "Double Cut" method.

To make a Double Cut:

- Measure your material and cut it 1/8 inch longer
- Re-adjust your material
- Shear the last 1/8 inch off

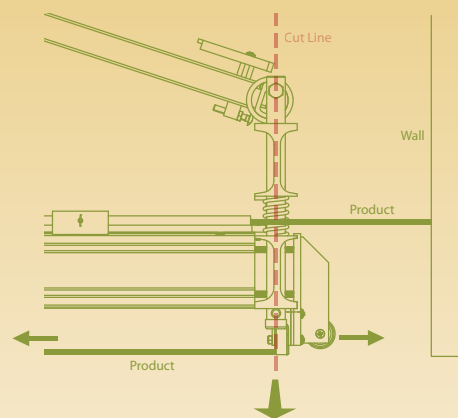
This will give you a nice clean cut.



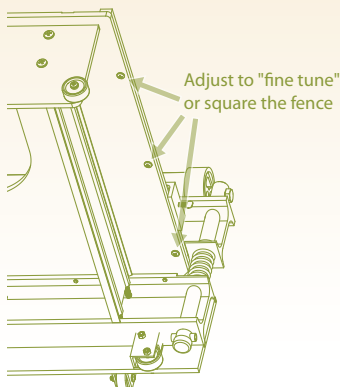
Product Highlight: RCT 40 Magnum Shear™

This Resilient and Carpet Tile cutter has a True-Honed blade which breezes through vinyl, composites, and even Tyrex™ style recycled tire tiles!

- Cut 'gangstacked' piles of VCT or LVT precisely to size in an instant
- 40" blade can cut a 45 degree angle (corner to corner) on square tiles up to 24"
- Castors face both "in and out" and "left to right" for easy maneuvering of the tool on the jobsite
- Wall guide for measure-free cutting



You can use the castor system to align product to a wall without having to measure each tile!



Where We'll Be

Domotex

January 15-18
Hannover, Germany

International Builders Show

January 12-15
Orlando, FL
Booth 4586

Surfaces

January 25-27
Las Vegas, NV
Booth B8561

Online Forum Contest

Bullet Tools is building an online community for people to ask questions and help others with their flooring & siding projects. We would like you to be involved. For the months of January & February, 2011, we are hosting a contest for posting in our forum. The Grand Prize winner will receive a very limited edition of our 13" EZ Shear™ – *The Sniper*. The Second Place winner will receive a Bullet Tools Universal Bucket Saw Kit™, and the Third Place winner will receive a Bullet Tools Blade Runner™. See rules and product details online at www.BulletTools.com. Don't miss this opportunity to get your Free 13" Sniper Edition EZ Shear™!

Stealth Black & Camouflage Finish

The
SNIPER
LIMITED EDITION 13" EZ SHEAR



Free Forum Posting Contest

Grand Prize



BULLET TOOLS™
The Professional's Best Shot™

3390 W. Hayden Ave. • Hayden, ID 83835
www.BulletTools.com